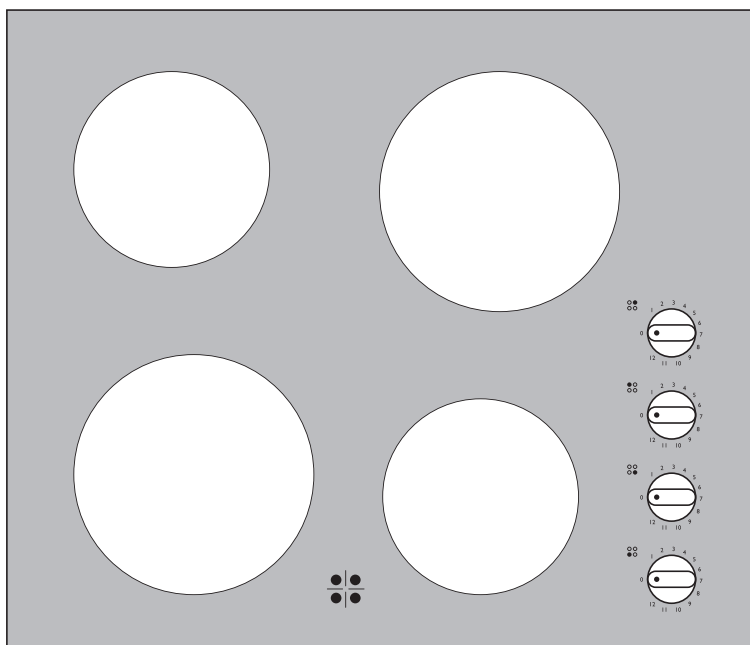


JLBICH60I

built-in ceramic hob

Instruction manual



John Lewis

Important Safety Information



It is most important that this instruction manual should be retained with the appliance for future reference. Should the appliance be sold or transferred to another owner, or should you move house and leave the appliance, always ensure that the book is supplied with the appliance in order that the new owner can get to know the functioning of the appliance and the relevant warnings. These warnings have been provided in the interest of safety. You **MUST** read them carefully before use or installation by a qualified person. If you are unsure of the meanings of these warnings contact the John Lewis branch from which you purchased the appliance.

Installation

- This hob must be installed by qualified and competent personnel to the relevant National Standards.
- Refer to Installation Information in chapter “Installation”.
- Remove all packaging, both inside and outside the hob, before using the hob.
- The appliance must not be used as a work surface or as a storage surface.
- Additions or modifications to the appliance are not permitted. Repairs to the appliance must only be carried out by trained registered service engineers.
- Do not place or store flammable liquids, highly inflammable materials or fusible objects (e.g. plastic film, plastic, aluminium) on or near the appliance.
- Built-in appliances may only be used after they have been built in to suitable built-in units and work surfaces that meet the relevant National Standards.
- In the event of faults with the appliance or damage to the glass ceramic (cracks, scratches or splits), the appliance must be switched off and disconnected from the electrical supply to prevent the possibility of an electric shock.

Child safety

- Small children must be kept away from the appliance.
- Only allow older children to use the appliance with adult supervision.

Use

- This hob is intended for domestic cooking only. It is not designed for commercial or industrial purposes.
- Remove stickers and film from the glass ceramic.
- There is the risk of burns from the appliance if used carelessly.
- Cables from electrical appliances must not touch the hot surface of the appliance or hot cookware.
- Overheated fat and oil can ignite quickly. When cooking with fat or oil (e.g. frying chips) do not leave the appliance unattended.
- Switch the cooking zones off after each use.
- The ceramic glass can be damaged by objects falling onto it.
- The edge of the ceramic glass can be damaged by being knocked by the cookware.

- Cookware made of cast iron, cast aluminium or with damaged bottoms can scratch the ceramic glass if pushed across the surface.
- Objects that melt and things that boil over can burn onto the ceramic glass and should be removed straightaway.
- Do not use the cooking zones with empty cookware or without cookware.

Maintenance and Cleaning


- Only clean this hob in accordance with the instructions.
- For cleaning, the appliance must be switched off and cooled down.
- For safety reasons, the cleaning of the appliance with steam jet or high-pressure cleaning equipment is not permitted.
- Always allow the hob to cool down and switch off the electrical supply before carrying out any cleaning or maintenance work.

Service

- This hob should only be repaired or serviced by an authorised Service Engineer and only genuine approved spare parts should be used.



Environmental Information

- After installation, please dispose of the packaging with due regard to safety and the environment.
- When disposing of an old appliance, make it unusable, by cutting off the cable. Remove any door catches, to prevent small children being trapped inside.
- The symbol  on the product or on its packaging indicates that this product should not be treated as normal household waste. Instead it shall be handed over to an approved collection facility for the recycling of electrical and electronic equipment. By ensuring this product is disposed of correctly, you will help prevent potential negative consequences for the environment and human health, which could otherwise be caused by inappropriate waste handling of this product. For more detailed information about recycling of this product, please contact your local city office, your household waste disposal service or the shop where you purchased the product.

Contents

For the User

Important Safety Information - - - - -	2
Description of the Appliance - - - - -	4
The Control Panel - - - - -	9
Control Knobs - - - - -	9
Residual heat indicator - - - - -	9
Selecting the heat setting - - - - -	9
When the hob is first installed - - - - -	10
Hints and Tips on cooking and frying - - - - -	10
Cookware - - - - -	10
Energy saving - - - - -	10
Cooking chart - - - - -	11
Cleaning the hob - - - - -	12
Cleaning the appliance after each use- - - - -	12
Removing deposits - - - - -	12
Something not working - - - - -	13
Repairs - After Sales Service - - - - -	14
Spare parts - - - - -	14
Rating Plates - - - - -	15

For the Installer

Installation - - - - -	5
Technical Data - - - - -	5
Electrical Connection - - - - -	5
Electrical Requirements - - - - -	5
Building In - - - - -	6

Guide to use the Instruction Manual

The following symbols will be found in the text to guide you throughout the Instructions:



Safety Instructions



Hints and Tips



Environmental Information



This appliance complies with the following

E.E.C. Directives:

* **73/23 - 90/683**

(Low Voltage Directive);

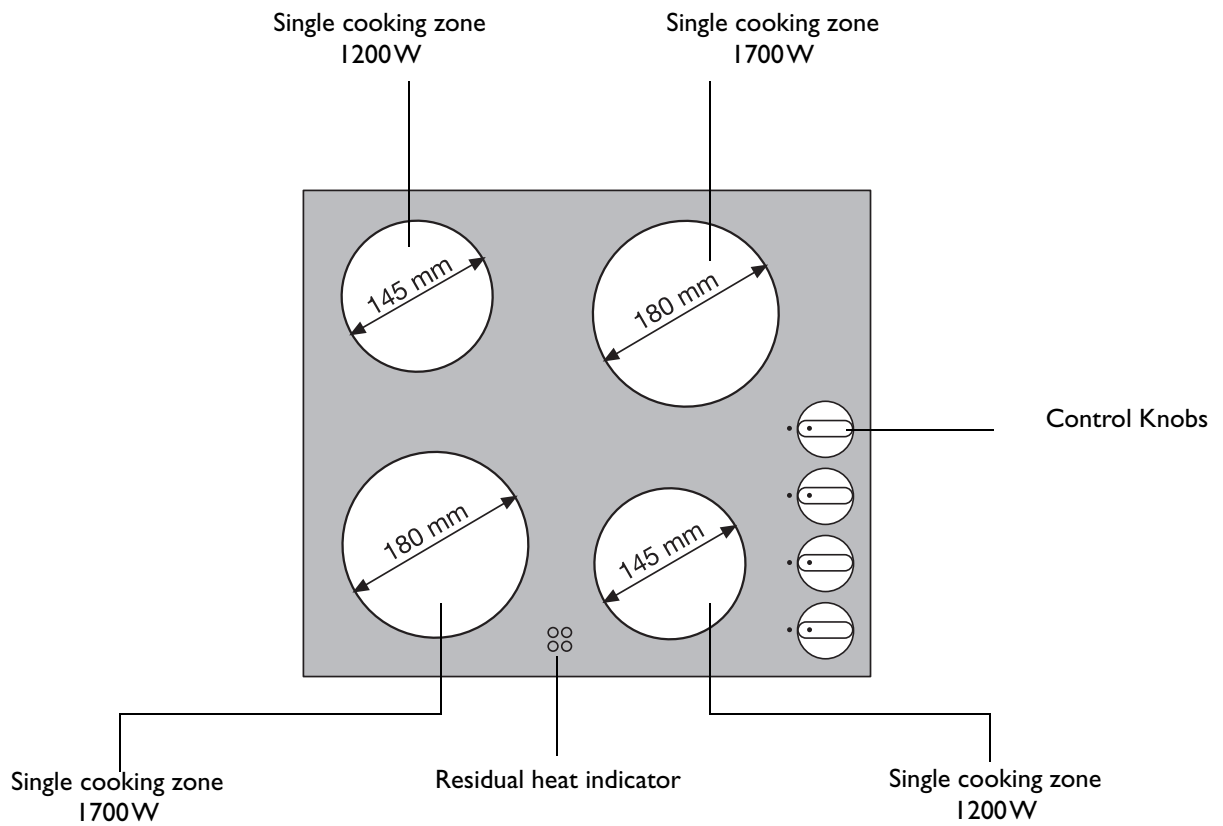
* **93/68** (General Directives)

* **89/336** (Electromagnetical Compatibility Directive)

and subsequent modifications

Description of the Appliance

Cooking surface layout



Installation

Technical Data

Appliance dimensions

Width	590 mm
Depth	520 mm
Height	47 mm

Worktop cut-out dimensions

Width	560 mm
Depth	490 mm

Cooking rings

Position	Diameter	Power
Front left	180mm	1700W
Rear left	145mm	1200W
Rear right	180mm	1700W
Front right	145mm	1200W

Connection voltage 230 V ~ 50Hz

Maximum connected load power 5,8kW

Electrical Connection

 **This hob must be earthed.**

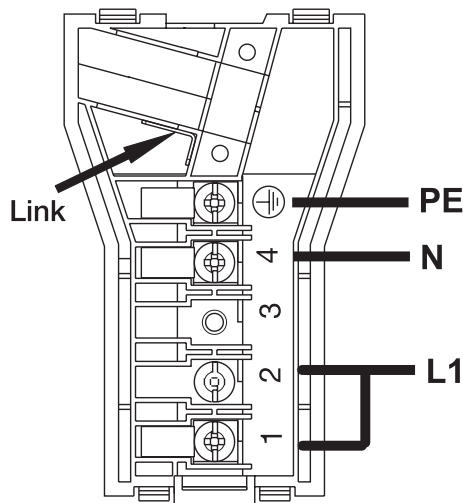
Electrical Requirements

Any permanent electrical installation must comply with the latest I.E.E. Regulations and local Electricity Board regulations. For your own safety this should be undertaken by a qualified electrician, e.g. your local Electricity Board, or a contractor who is on the roll of the National Inspection Council for Electrical Installation Contracting (NICEIC).


Electrical Connection

The hob is designed to be connected to 230 V (50 Hz) electricity supply. Before connecting to the mains supply ensure that the mains voltage corresponds to the voltage on the rating plate underneath the hob.

For UK only



It is necessary that you install a double pole switch between the hob and the electricity supply (mains), with a minimum gap of 3 mm between the switch contacts and of a type suitable for the required load in compliance with the current rules.

 **The switch must not break the yellow and green earth cable at any point. It is necessary that the yellow / green earth wire is about 2 cm longer than the live and neutral ones.**

Important

After installation and connecting, the cable must be placed so that it cannot at any point reach a temperature of more than 60°C above the ambient temperature.

Before the hob is connected, check that the main fuse and the domestic installation can support the load; and that the power supply is properly earthed.

The manufacturer disclaims any responsibility should these safety measures not be carried out.

Building In

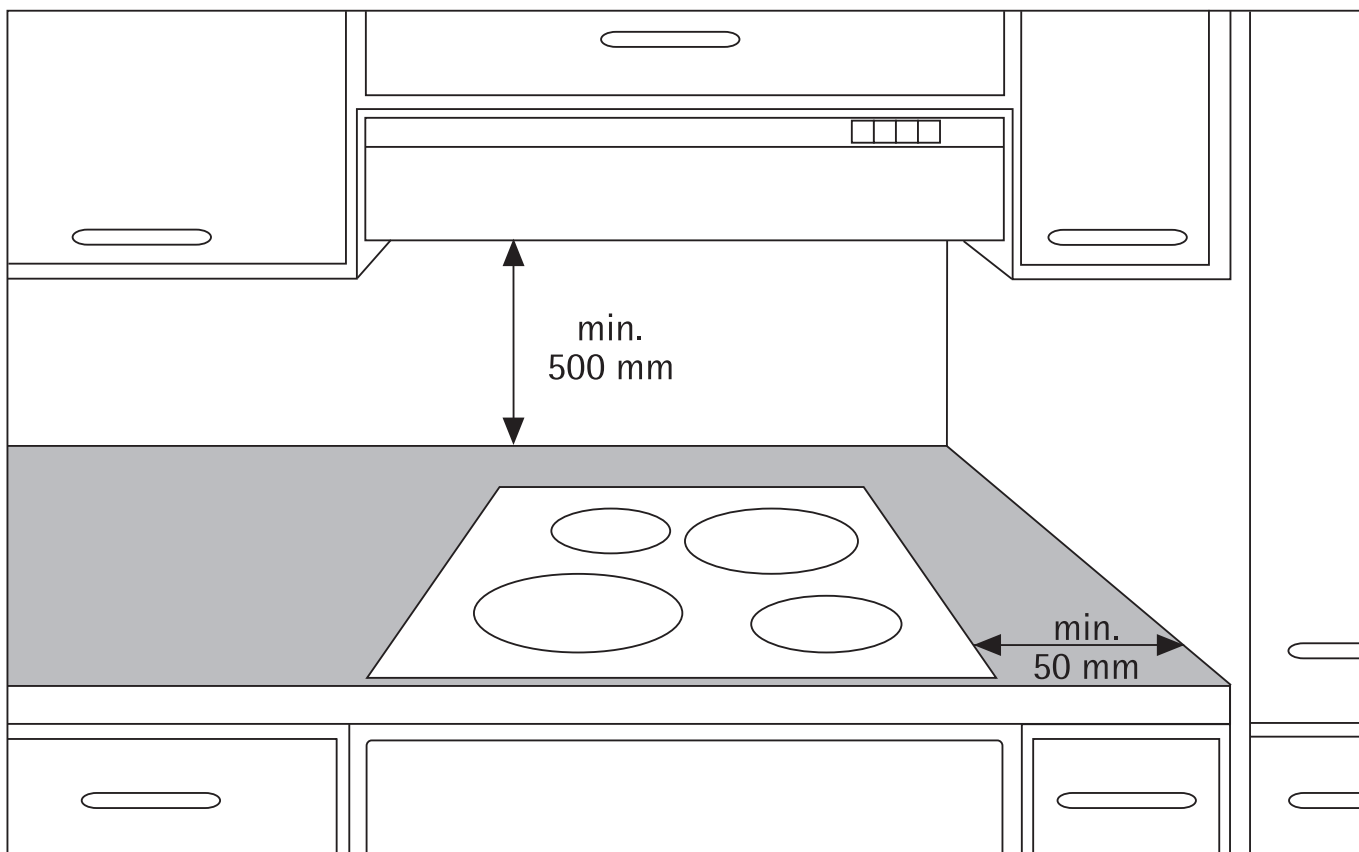


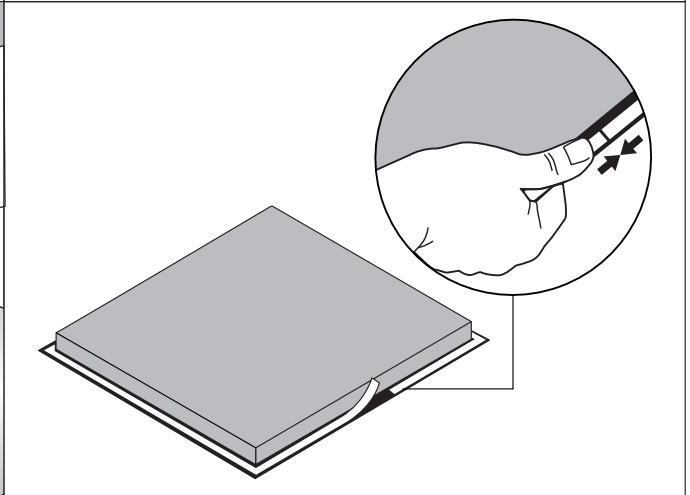
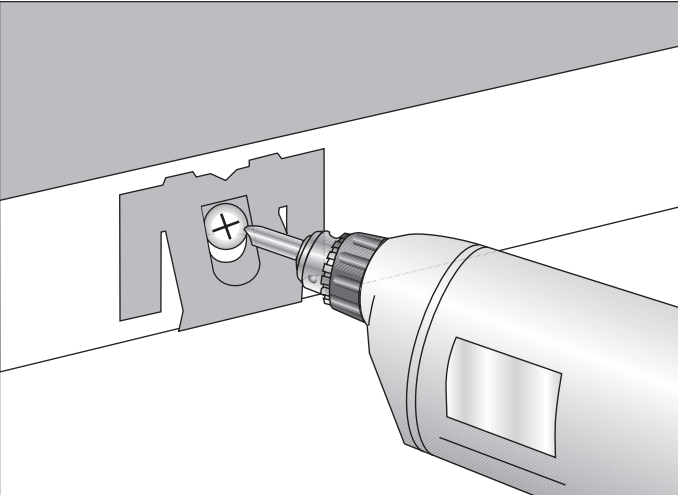
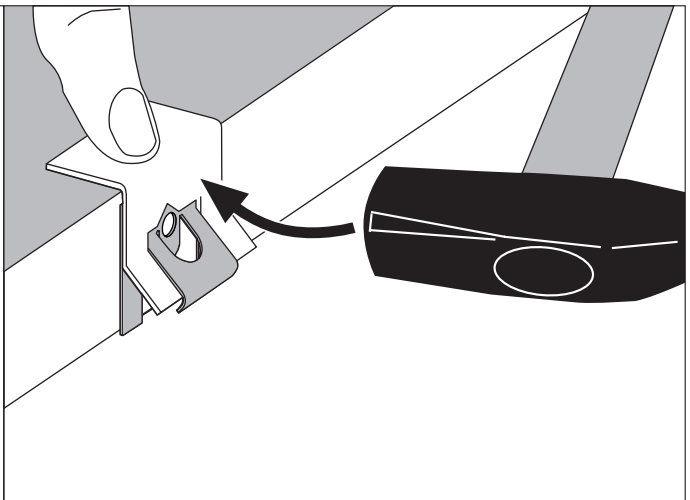
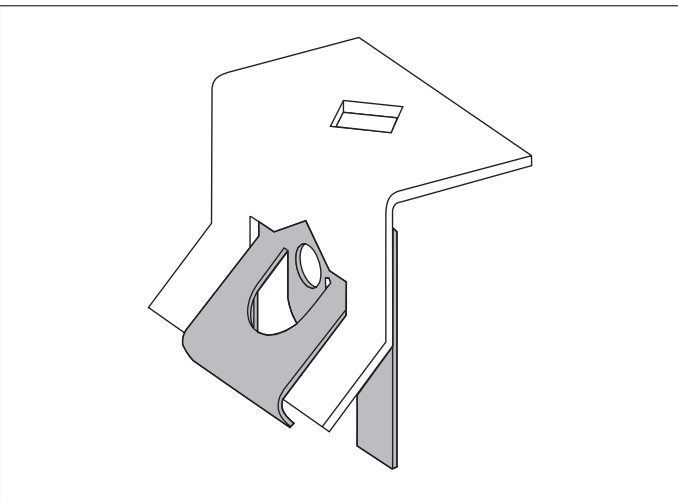
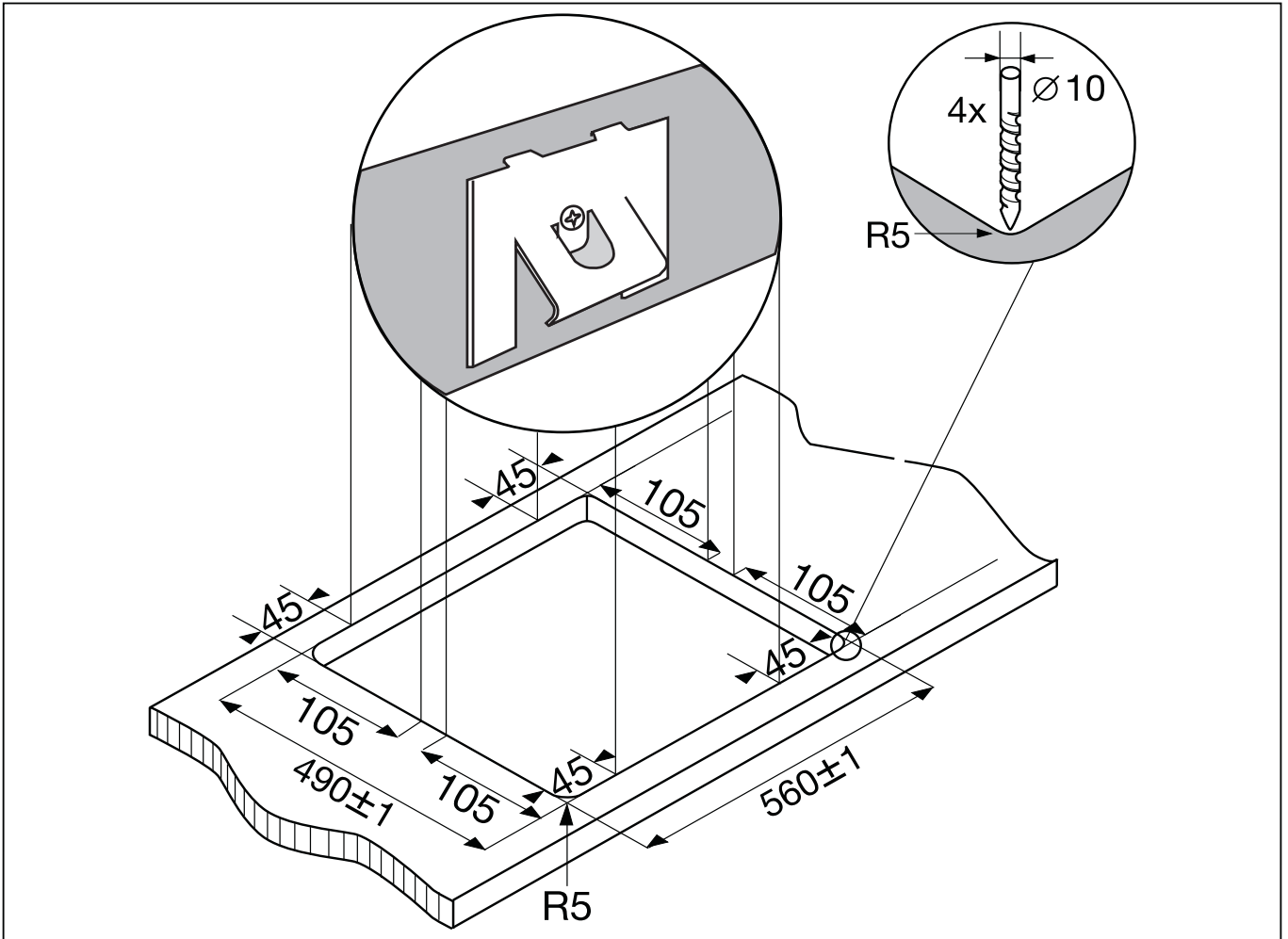
The hob must be installed according to the instructions supplied by qualified and competent personnel to the relevant National Standards.

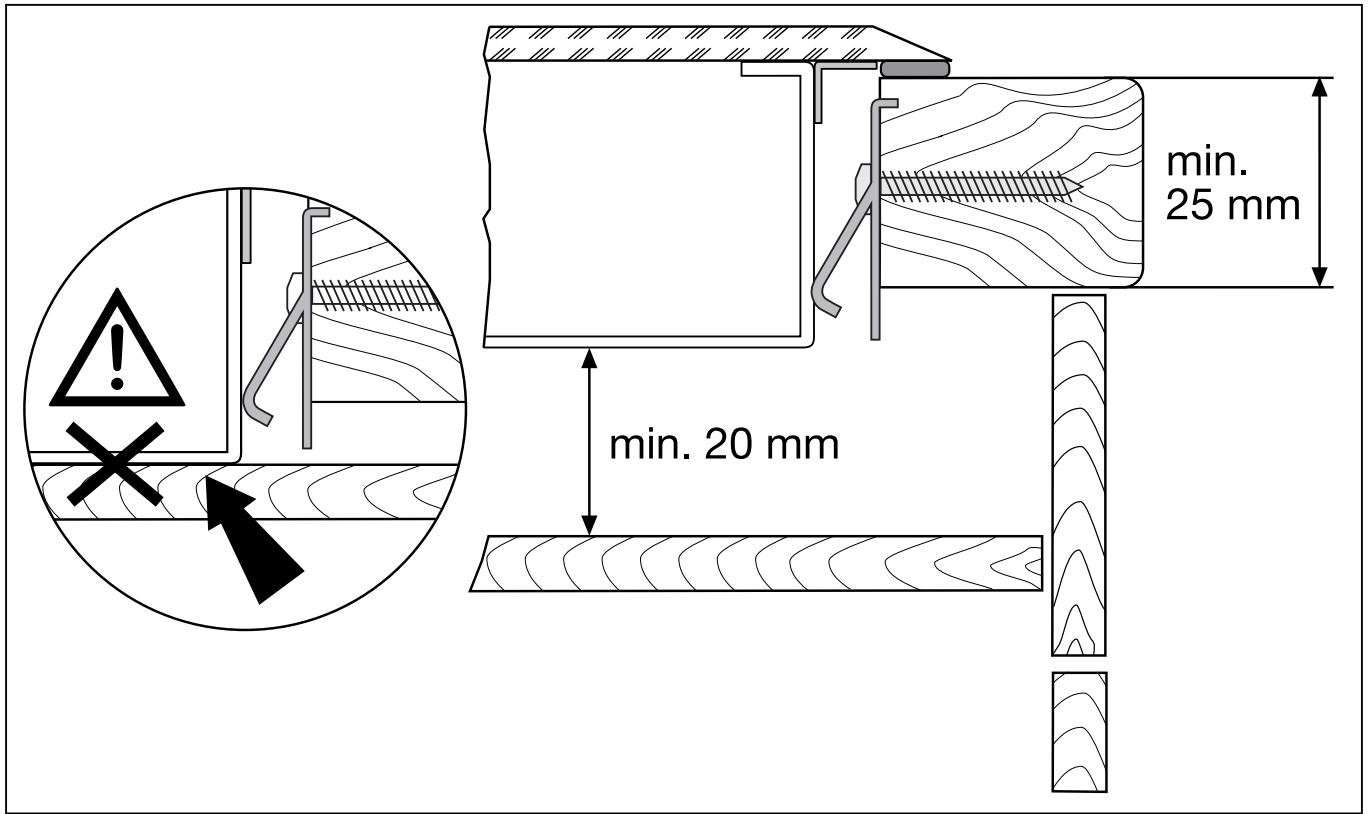
Building In

- The dimensions of the cut-out section and recess required must be as shown in the relevant diagrams.
- Proper arrangements must be made of a continuous supply of air to the hob to prevent overheating.

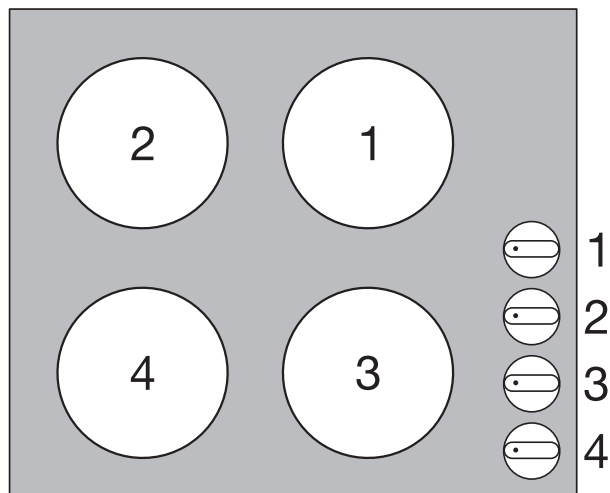
- Clean the worktop in the area of the cut-out section.
- Stick the one-sided self-adhesive sealing tape supplied all the way round the lower edge of the cooking surface along the outer edge of the glass ceramic panel. Do not stretch it. The cut ends should lie in the middle of one side. When you have cut it to length (add a few mm), press the two ends flush up against one another.
- A protective floor must be installed under the appliance.







The Control Panel



Control Knobs

The cooking power can be set anywhere between level 1 and 12.

1	lowest power
12	highest power
0	Off position

Residual heat indicator



The residual heat indicator lights up, as soon as the corresponding cooking zone is hot.



Warning! Risk of burns from residual heat. After being switched off, the cooking zones need some time to cool down. Look at the residual heat indicator.

Residual heat can be used for melting and keeping food warm.

Selecting the heat setting

Heat setting	Ring control knob	Knob setting
To increase	turn clockwise 	1 - 12
To reduce	turn anti-clockwise 	12 - 1
switch off	0	

1. When boiling water/searing food, select a high heat setting.
2. As soon as steam forms or the fat or oil is hot, set a low heat setting.
3. To end the cooking process, turn to the Off position.

When the hob is first installed



Remove all packaging, both inside and outside the hob including the advertising labels and any protective film, before using the hob.



When a cooking zone is switched on, it may hum briefly. This is a characteristic of all ceramic glass cooking zones and does not impair either the function or the life of the appliance.

Hints and Tips on cooking and frying

Cookware

- You can recognise good cookware from the bottoms of the pans. The bottom should be as thick and flat as possible.
- Cookware made of enamelled steel or with aluminium or copper bottoms can leave discolourations on the ceramic glass surface which can be impossible to remove.

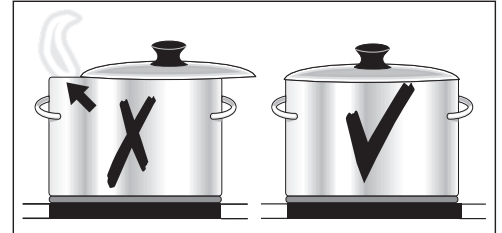
Energy saving



Always place cookware on the cooking zone before it is switched on.



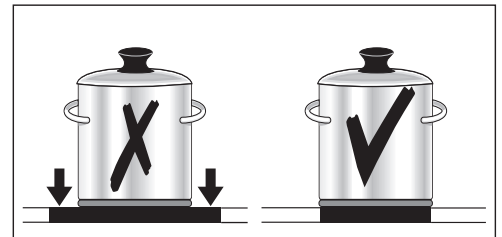
If possible, always place lids on the pans.



Switch cooking zones off before the end of the cooking time, to take advantage of residual heat.



Bottom of pans and cooking zones should be the same size.



Cooking chart

i This chart is intended as a guide only. It may be necessary to increase or decrease the temperature to suit your individual requirements. Only experience will enable you to determine the correct setting for your personal requirements.

Heat setting	Cooking process	suitable for	Cooking time	Notes
0		Residual heat setting, Off position		
1	Keeping food warm	Keeping cooked foods warm	as required	Cover
1-3	Melting	Hollandaise sauce, melting butter, chocolate, gelatine	5-25 mins.	Stir occasionally
	Solidifying	Fluffy omelettes, baked eggs	10-40 mins.	Cook with lid on
3-5	Simmering	Simmering rice and milk-based dishes Heating up ready-cooked meals	25-50 mins.	Add at least twice as much liquid as rice, stir milk dishes part way through cooking
4-6	Steaming Braising	Steaming vegetables, fish Braising meat	20-45 mins.	With vegetables add only a little liquid (a few tablespoons)
5-7	Boiling	Steaming potatoes	20-60 mins.	Use only a little liquid, e. g.: max. ¼ ltr. water for 750 g of potatoes
		Cooking larger quantities of food, stews and soups	60-150 mins.	Up to 3 ltrs. liquid plus ingredients
8-9	Gentle frying	Frying escalope, veal cordon bleu, cutlets, rissoles, sausages, liver, roux, eggs, pancakes, doughnuts	as required	Turn halfway through cooking
10-11	Heavy frying	Hash browns, loin steaks, steaks, Flädle (pancakes for garnishing soup)	5-15 mins. per pan	Turn halfway through cooking
11-12	Boiling Searing Deep frying	Boiling large quantities of water, cooking pasta, searing meat (goulash, pot roast), deep frying chips		

Cleaning the hob



Warning! Risk of burns from residual heat.



Important Sharp objects and abrasive cleaning materials will damage the appliance. Clean with water and washing up liquid.



Important Residues from cleaning agents will damage the appliance. Remove residues with water and washing up liquid.

Cleaning the appliance after each use

1. Wipe the appliance with a damp cloth and a little washing up liquid.
2. Rub the appliance dry using a clean cloth.

Removing deposits

1. Place the scraper on the glass ceramic surface at an angle.
2. Remove residues by sliding the blade over the surface.
3. Wipe the appliance with a damp cloth and a little washing up liquid.
4. Rub the appliance dry using a clean cloth.

Type of dirt	Remove		
	immediately	when the appliance has cooled down	using
sugar, food containing sugar	yes	---	a scraper*
plastics, tin foil	yes	---	
limescale and water rings	---	yes	cleaner for glass ceramic or stainless steel*
fat splashes	---	yes	
shiny metallic discolorations	---	yes	

*Scrapers and cleaners for glass ceramic and stainless steel can be purchased from your local John Lewis branch.



Remove stubborn residues with a cleaner for glass ceramic or stainless steel.



Scratches or dark stains on the glass ceramic that cannot be removed do not affect the functioning of the appliance.

Something not working

If the hob is not working correctly, please carry out the following checks, before contacting your local Service Force repair agent. In the event of any other fault codes that arise, disconnect the appliance from the electrical supply for a few seconds (take out the fuse from the housing wiring system). If the fault code is displayed again, please call your local Service Force repair agent and report the fault code.

IMPORTANT: If you call out an engineer to a fault listed below, or to repair a fault caused by incorrect use or installation, a charge will be made even if the appliance is under guarantee.

Symptom	Solution
The cooking zones are not functioning.	<ul style="list-style-type: none">• If the desired heat setting is not set, set the heat setting.• Check the fuse. If the fuses trip a number of times, please call an authorised electrician.
The residual heat indicator is not displaying anything	<ul style="list-style-type: none">• The cooking zone was only on for a short time and is therefore not hot.• If the cooking zone is supposed to be hot, call your local Service Force Centre.

Repairs - After Sales Service

If your hob is not performing satisfactorily; consult the fault finding guide within this instruction book (Something not working). In the event of a fault occurring which you cannot resolve yourself from advice given within this instruction manual your first step is to contact our extended warranty administrators on **0870 0107887** who will give you details for your local Service Force.

When contacting Service Force, please quote the model (Mod.) and serial number (S.N.), both of which are shown on the rating plate located underneath the hob.

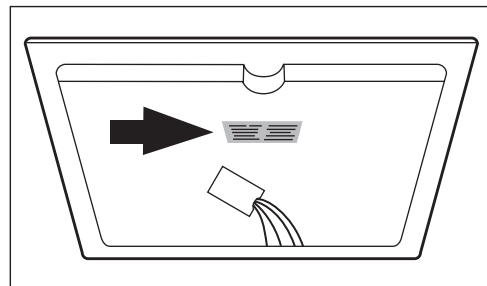
So that you always have these numbers at hand, we recommend you to make a note of them here:

Mod.:

PNC:

S.N.:

Your hob is covered by a 3 year parts and labour guarantee (see separate details given at point of sale). Please retain your purchase receipt safely for the service engineer to verify the purchase details.



Spare parts





This product should be serviced by any authorised service engineer; and only genuine spare parts should be used.





Under no circumstances should you attempt to repair the hob yourself.

Repairs carried out by inexperienced persons may cause injury or serious malfunctioning. Contact our extended warranty administrators on **0870 0107887** who will give you details for your Service Force repair agent.

Always insist on genuine spare parts.

Rating Plates

Modell JLBICH60I		Prod.Nr. 949 591 899	
Typ PEE200I	230 V	50 Hz	
Made in Germany	Ser.Nr.	5.8 kW	
JOHN LEWIS		 	

Modell JLBICH60I		Prod.Nr. 949 592 456	
Typ PEE200I	230 V	50 Hz	
Made in Germany	Ser.Nr.	5.8 kW	
JOHN LEWIS		 	

John Lewis Partnership

171 Victoria Street

London SW1E 5NN

www.johnlewis.com